

American Standard

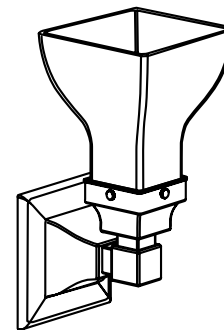
TOWNSQUARE ACCESSORIES

WALL SCONCE

Thank you for selecting American-Standard...the benchmark of fine quality for over 100 years.

To ensure that your installation proceeds smoothly—please read these instructions carefully before you begin.

Installation Instructions 2555.081

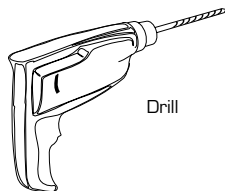


M968229A

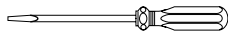
Recommended Tools



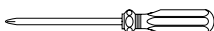
Tape Measure



Drill



Regular Screwdriver



Phillips Screwdriver

CARE INSTRUCTIONS:

DO: SIMPLY RINSE THE PRODUCT CLEAN WITH CLEAR WATER. DRY WITH A SOFT COTTON FLANNEL CLOTH.

DO NOT: CLEAN THE PRODUCT WITH SOAPS, ACID, POLISH, ABRASIVES, HARSH CLEANERS, OR A CLOTH WITH A COARSE SURFACE.

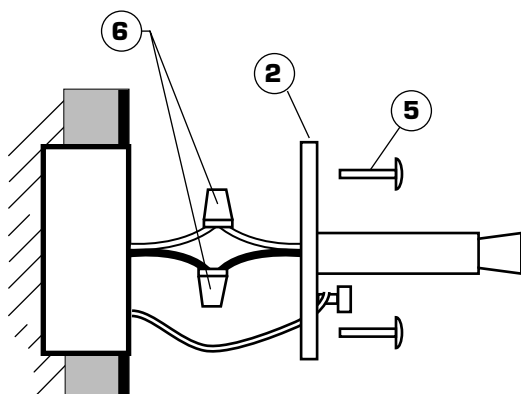
1 WALL SCONCE MOUNTING & INSTALLATION

WARNING: Turn off the main power at the circuit breaker before installing the fixture, in order to prevent possible shock.

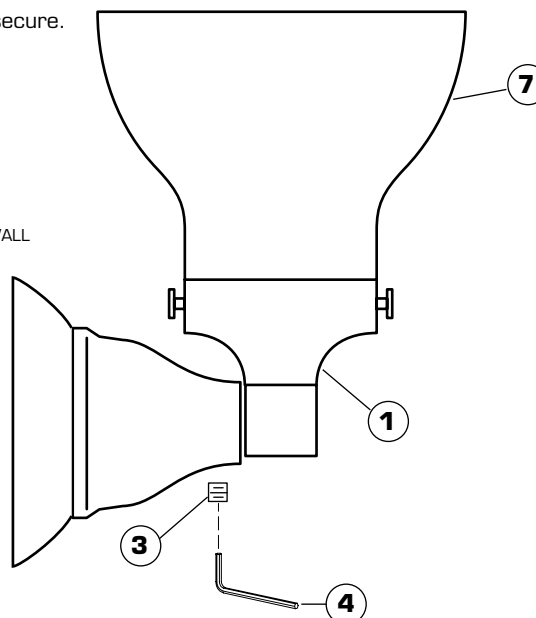
CAUTION: All electrical connections must be made in accordance with local and National Electrical Code (N. E. C.) standards. If you are unfamiliar with proper electrical wiring connections obtain the services of a qualified electrician.

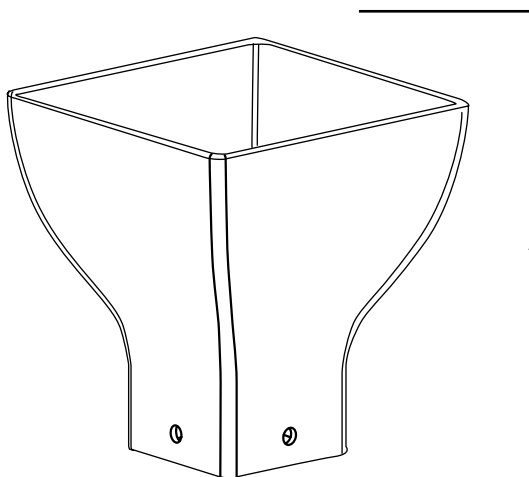
2

- Pull wires from SOCKET ASSEMBLY (1) through the center post of the MOUNTING BRACKET (2).
- Fasten the house ground wire to the green screw on the MOUNTING BRACKET (2). Connect the white supply wire to the white fixture wire using the WIRE NUT (6). Connect the black supply wire to the black fixture using the WIRE NUT (6).
- Carefully tuck the wires into the electrical box and install the MOUNTING BRACKET (2) using the SCREWS (5) provided.
- Install the SOCKET ASSEMBLY (1) onto the post of the MOUNTING BRACKET (2). Be sure fixture is level.
- Tighten SET SCREW (3) using the HEX KEY (4) provided.
- Install SCONCE (7) onto SOCKET ASSEMBLY (1) and tighten screws to secure.
- Install light bulb.

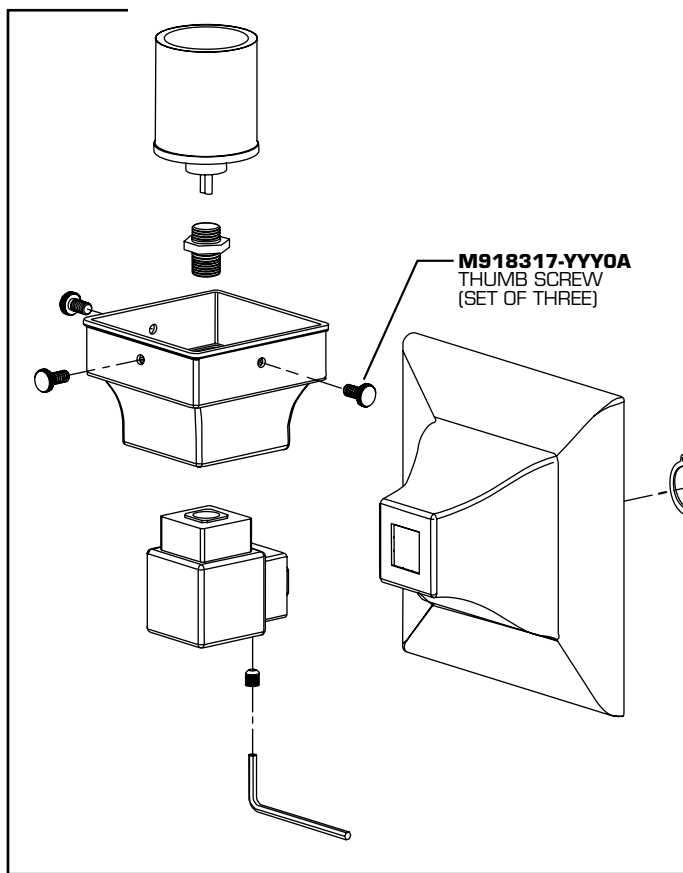


FINISHED WALL



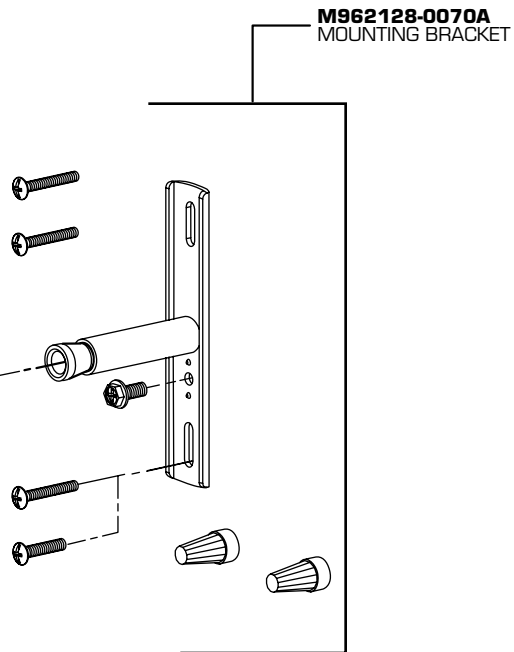


M922274-0070A
SCONCE



M962127-YYY0A
SOCKET ASSEMBLY

M918317-YYY0A
THUMB SCREW
(SET OF THREE)



M962128-0070A
MOUNTING BRACKET

Replace the "YYY" with appropriate finish code

CHROME	002
POLISHED BRASS	099
SATIN	295



HOT LINE FOR HELP
For toll-free information and answers to your questions, call:
1 (800) 223-0068
Weekdays 8:00 a.m. to 8:00 p.m. EST
IN CANADA 1-800-387-0369 (TORONTO 1-905-306-1093)
Weekdays 8:00 a.m. to 7:00 p.m. EST

Product names listed herein are trademarks of American Standard Inc.
© American Standard Inc. 2002